



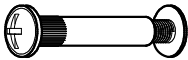
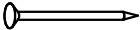

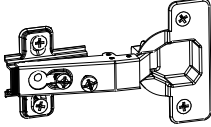
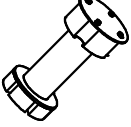


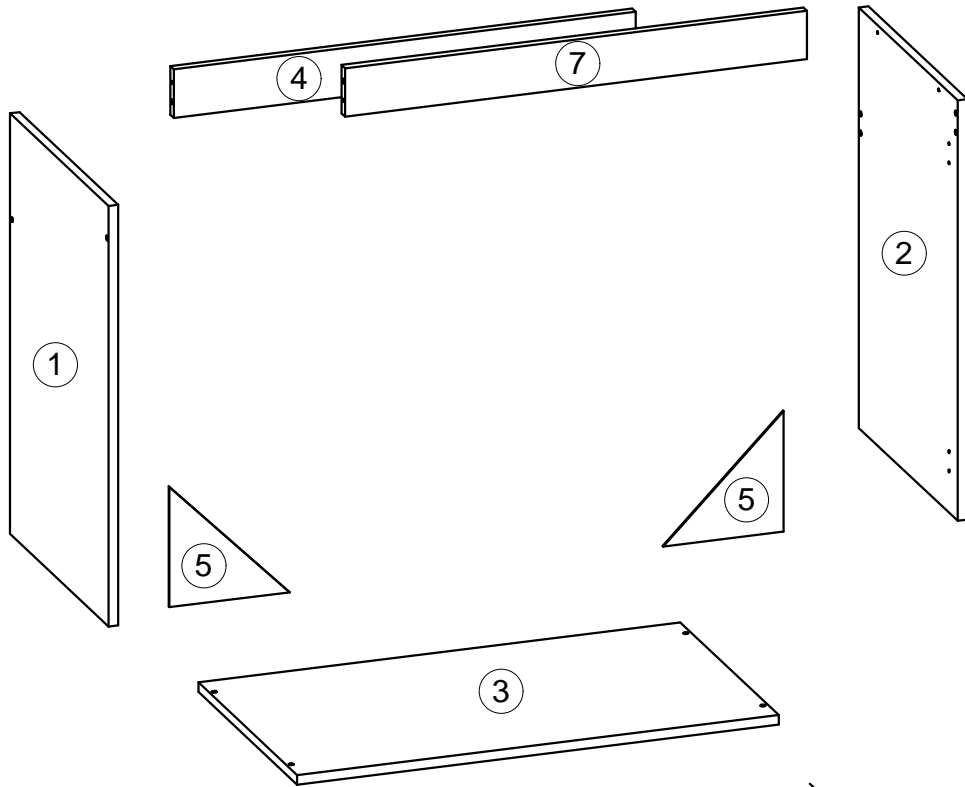
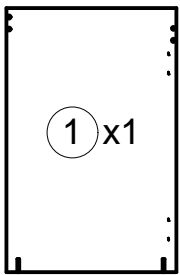
 Ø6,3x50 mm <b>A1 x 8</b>	 Ø12 mm <b>A2 x 8</b>	 4 mm <b>A3 x 1</b>	 Ø3x16 mm <b>D1 x 20</b>	 Ø4x16 mm <b>D2 x 8</b>
 Ø8x30 mm <b>E x 2</b>	 Ø1,6x25 mm <b>F x 16</b>	 Ø8x36 mm <b>G x 4</b>	 <b>M x 4</b>	 <b>N x 4</b>
 <b>U x 4</b>	 <b>Y x 2</b>			

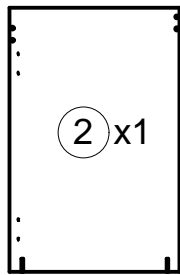


### Box

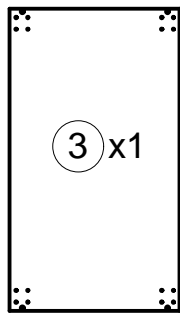
450x699x16 mm



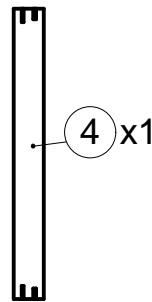
450x699x16 mm



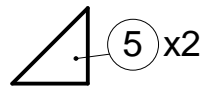
800x450x16 mm



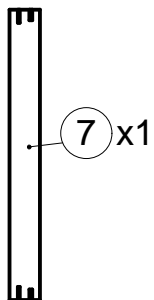
768x80x16 mm



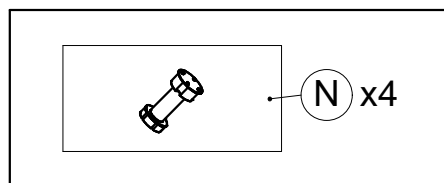
200x200x3 mm



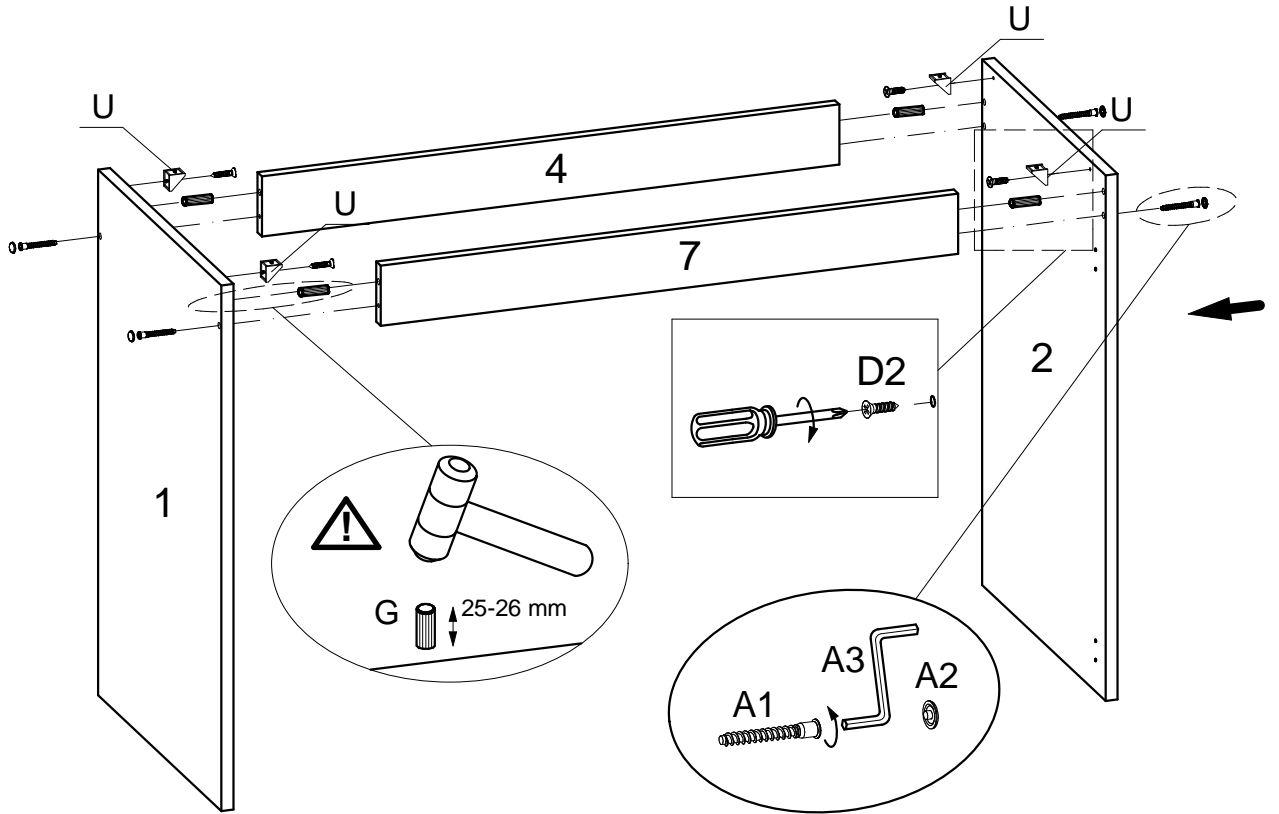
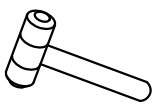
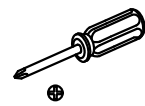
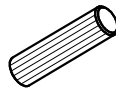
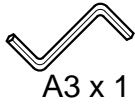
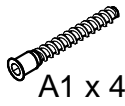
768x80x16 mm



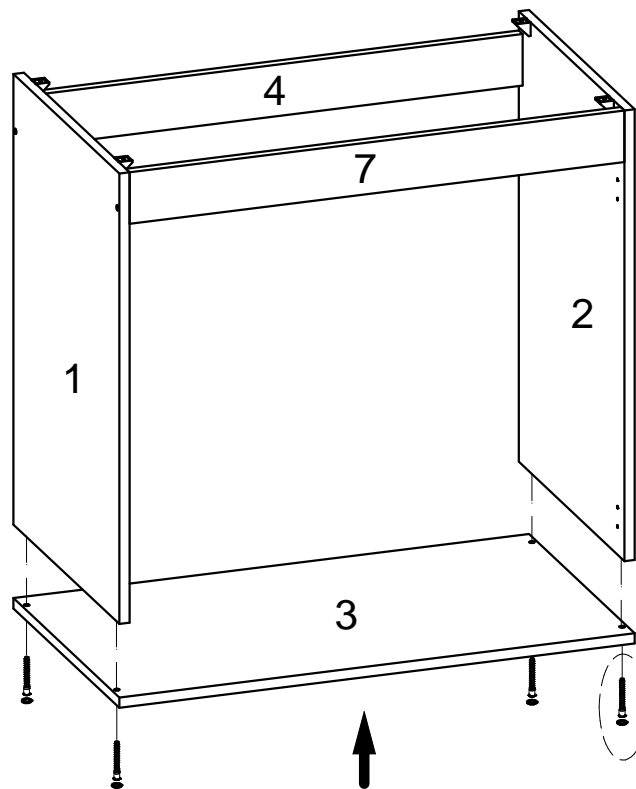
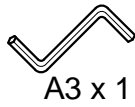
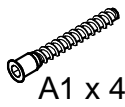
Fittings & Tools



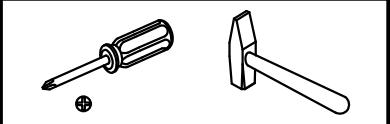
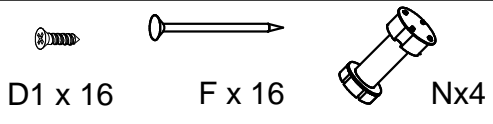
1



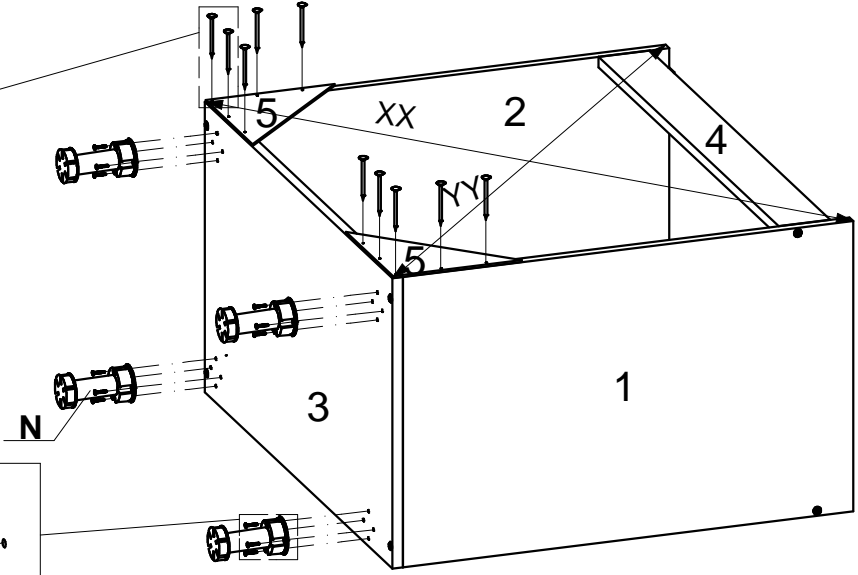
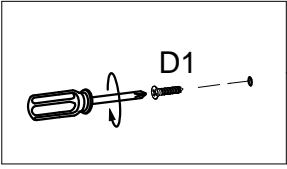
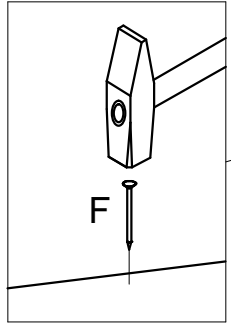
2



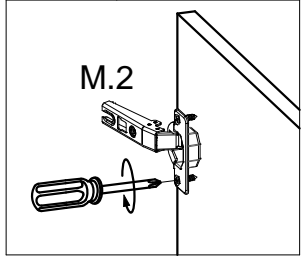
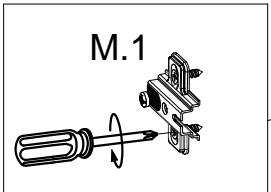
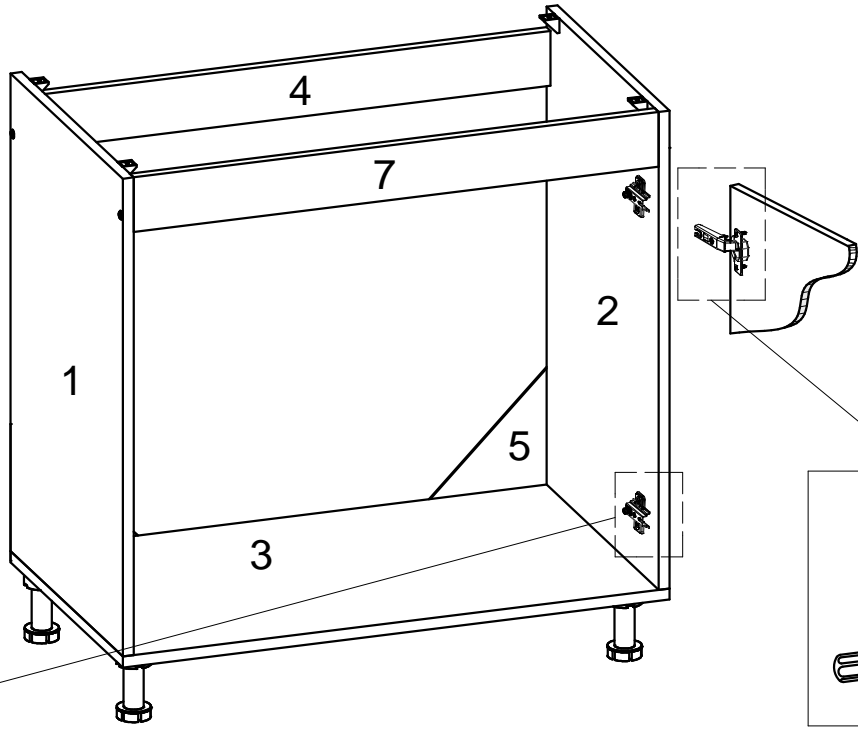
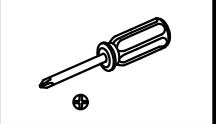
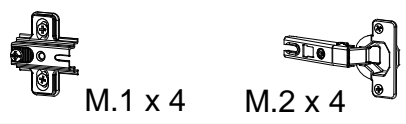
3



⚠ XX=YY≅90°



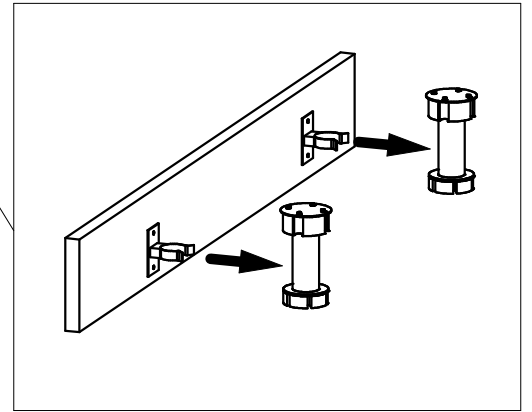
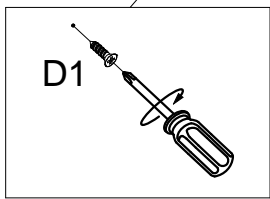
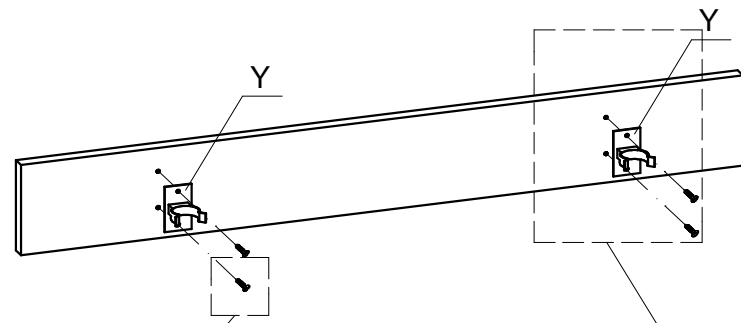
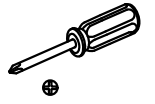
4



5

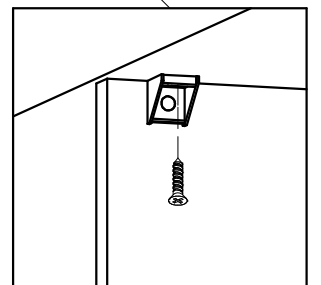
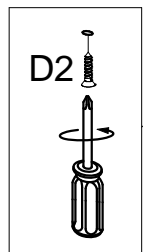
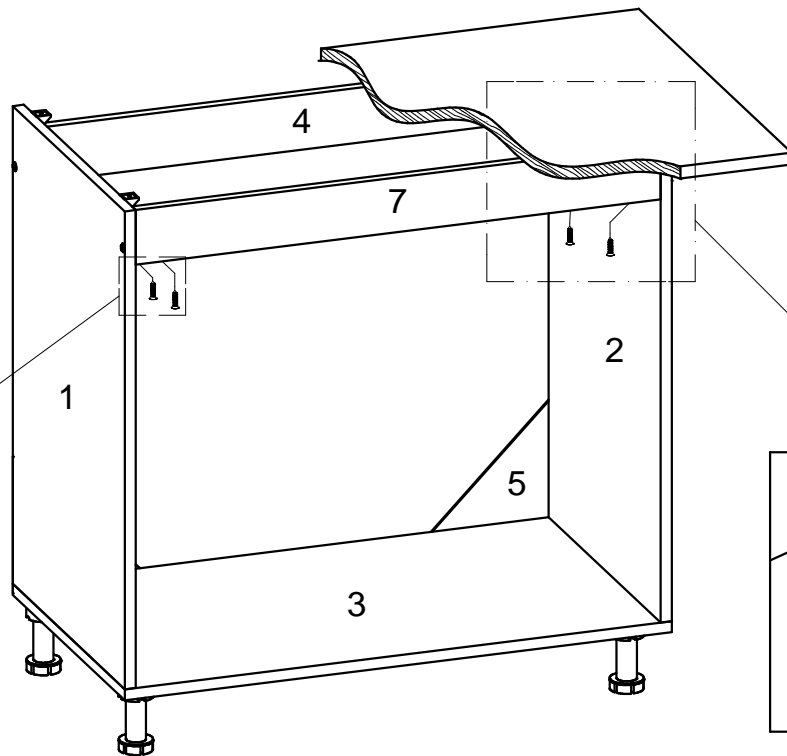
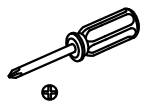
D1 x 4

Y x 2



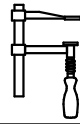
i

D2 x 4

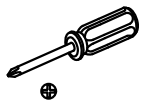
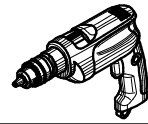




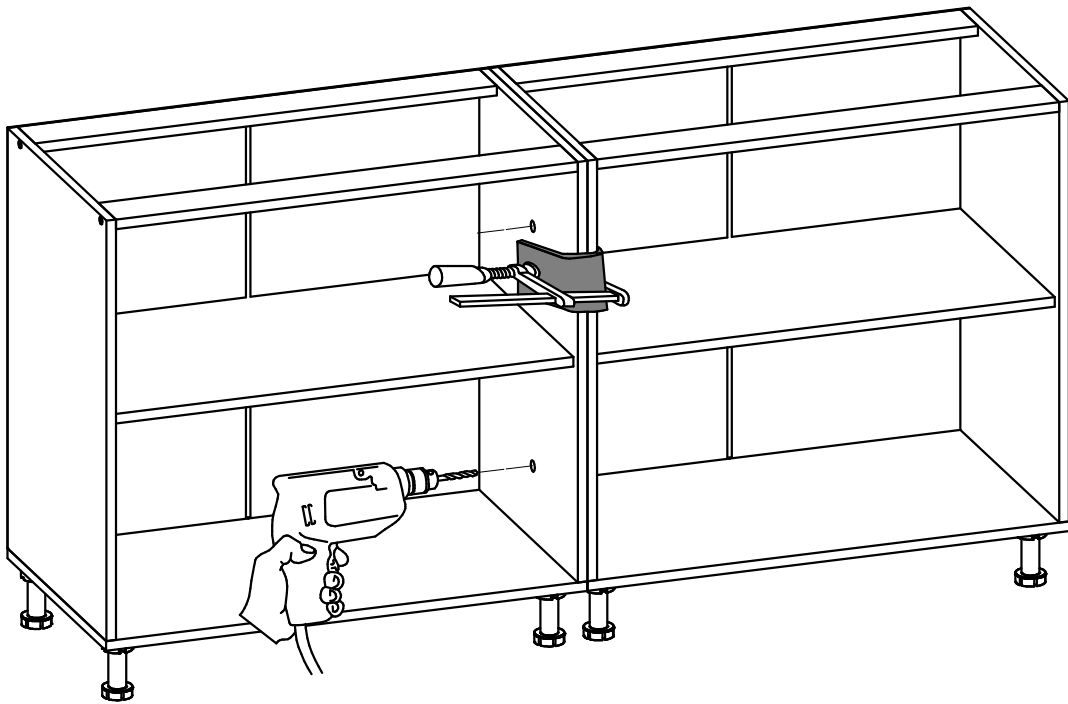
Ex 2



Ø8



1



2

